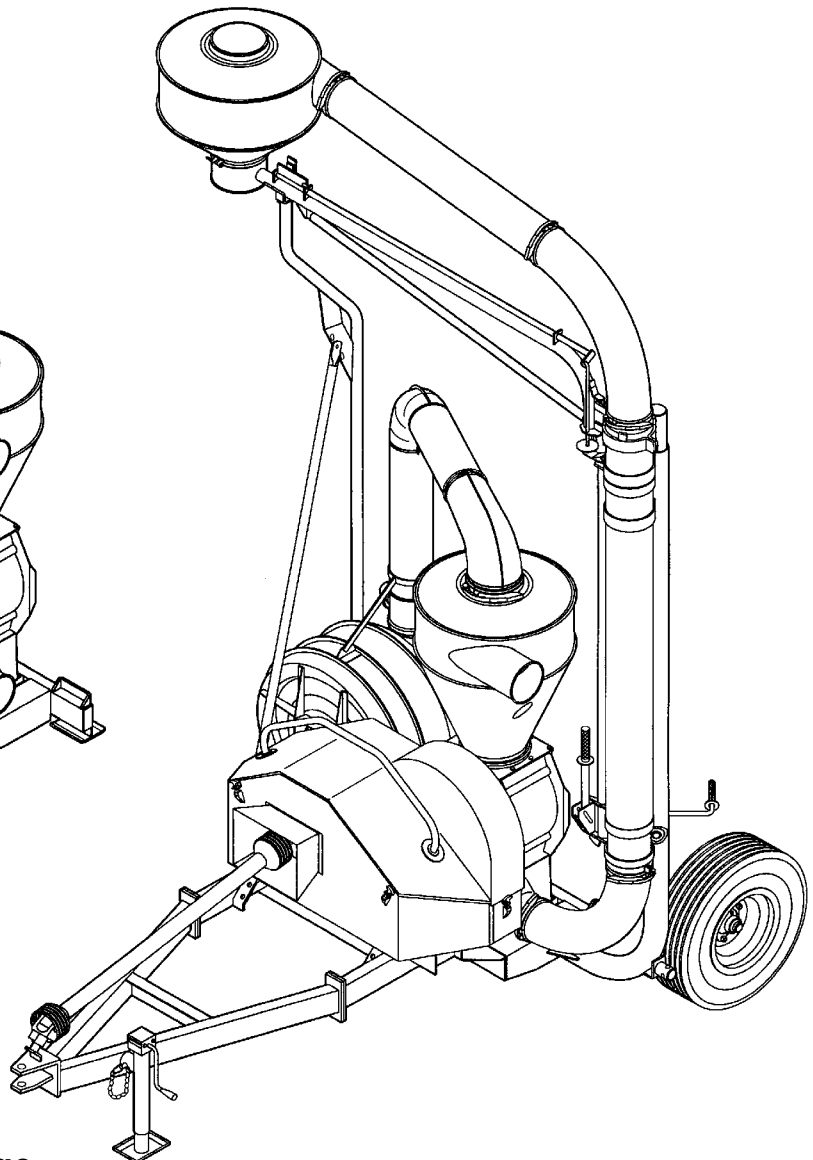
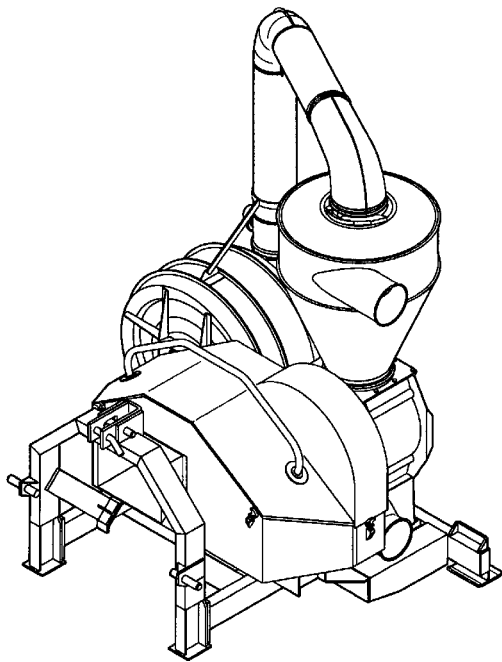


***SUC 500 T/TR***



**Reservedelsliste  
Spare parts list  
Ersatzteilliste  
Onderdelenlijst  
Liste de pièce de rechange  
Lista dei pezzi di ricambio**

# SUC 500 T2/TR2

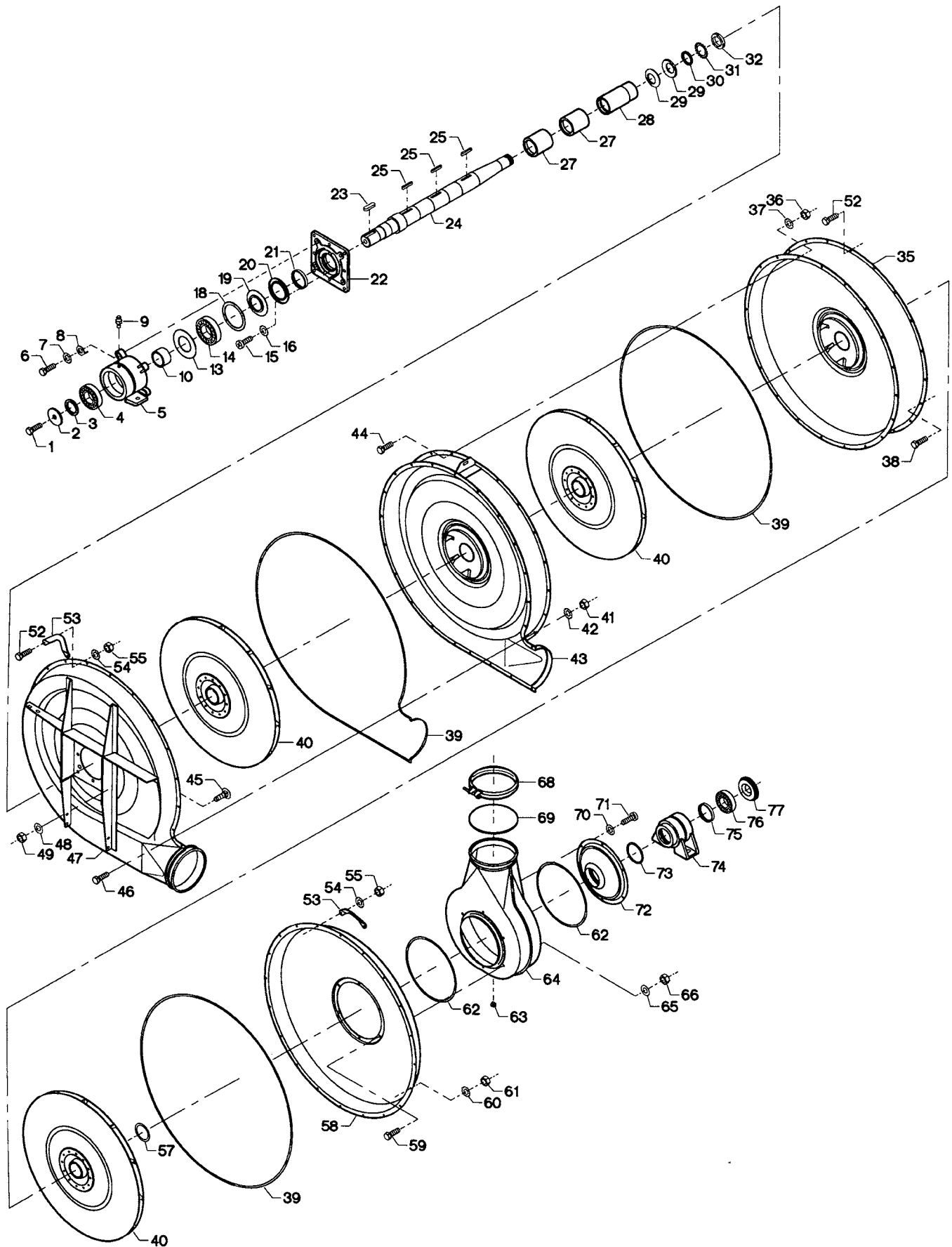


Fig.	Part no.	Pieces	Notes
1	100 304 044	1	Set screw M16 x 30 mm
2	121 121 079	1	
3	121 130 228	1	
4	100 401 043	1	Ball bearing # 6309 Z C3
5	121 130 250	1	
6	100 304 033	4	Set screw M12 x 35 mm
7	100 332 005	4	Star washer M12
8	121 140 024	4	
9	100 421 000	1	Grease nipple M6
10	121 130 241	1	
13	100 323 344	1	99 x 109 x 0.6 mm
14	100 401 042	1	Ball bearing # 6310 Z C3
15	100 321 010	4	Crosshead screw M5 x 12 mm
16	100 332 001	4	Star washer M5
18	100 323 343	1	Spacer ZW 90 x 110 mm
19	121 140 019	1	
20	121 140 017	1	
21	121 150 243	1	
22	121 140 176	1	
23	100 405 005	1	Key 14 x 9 x 40 mm
24	121 130 223	1	Complete incl. items 1 - 24
Cpl.	121 130 251	1	
25	100 405 013	3	Key 8 x 7 x 50 mm
27	121 150 237	2	
28	121 150 238	1	
29	100 323 144	2	Disc washer 70 x 40.5 x 4 mm
30	121 130 226	1	
31	100 407 025	1	Star washer MB 8
32	100 323 064	1	Ring nut KM 8
35	121 130 253	1	
36	100 315 028	20	Nut M6
37	100 332 002	20	Star washer M6
38	100 323 041	18	Set screw M6 x 16 mm
39	121 100 303	-	Sealing strip. Indicate length 8.3 m when ordering
40	121 150 166	3	
41	100 315 028	21	Nut M6
42	100 332 002	21	Star washer M6
43	121 120 385	1	
44	100 323 041	20	Set screw M6 x 16 mm
45	100 311 017	8	Coach bolt M8 x 25 mm
46	100 323 041	21	Set screw M6 x 16 mm
47	121 120 384	1	
48	100 331 005	8	Flat washer M8
49	100 316 003	8	Lock nut M8
52	100 306 001	4	Set screw M6 x 20 mm
53	121 150 257	2	
54	100 332 002	4	Star washer M6
55	100 315 028	4	Nut M6
57	121 150 182	8	Flat washer
58	121 120 386	1	
59	100 306 001	6	Set screw M6 x 20 mm
60	100 332 002	18	Star washer M6
61	100 315 028	18	Nut M6
62	100 203 030	-	Sealing strip 2 x 6 mm. Indicate length 1.6 m when ordering
63	121 130 131	1	
64	121 130 255	1	
65	100 331 004	6	Flat washer M6
66	100 316 002	6	Lock nut M6
68	122 000 599	1	Clamp OK160 with screw
69	110 101 105	1	
70	100 332 002	6	Star washer M6
71	100 308 018	6	Set screw M6 x 12 mm
72	121 130 257	1	
73	100 413 066	1	O-ring 84.2 x 5.7 mm
74	121 134 376	1	
75	121 150 243	1	
76	100 401 072	1	Ball bearing # 6208 - 2RS1/C3HT51
77	121 130 042	1	
Cpl.	121 130 132	1	Complete incl. items 1 - 77

# SUC 500 T2/TR2

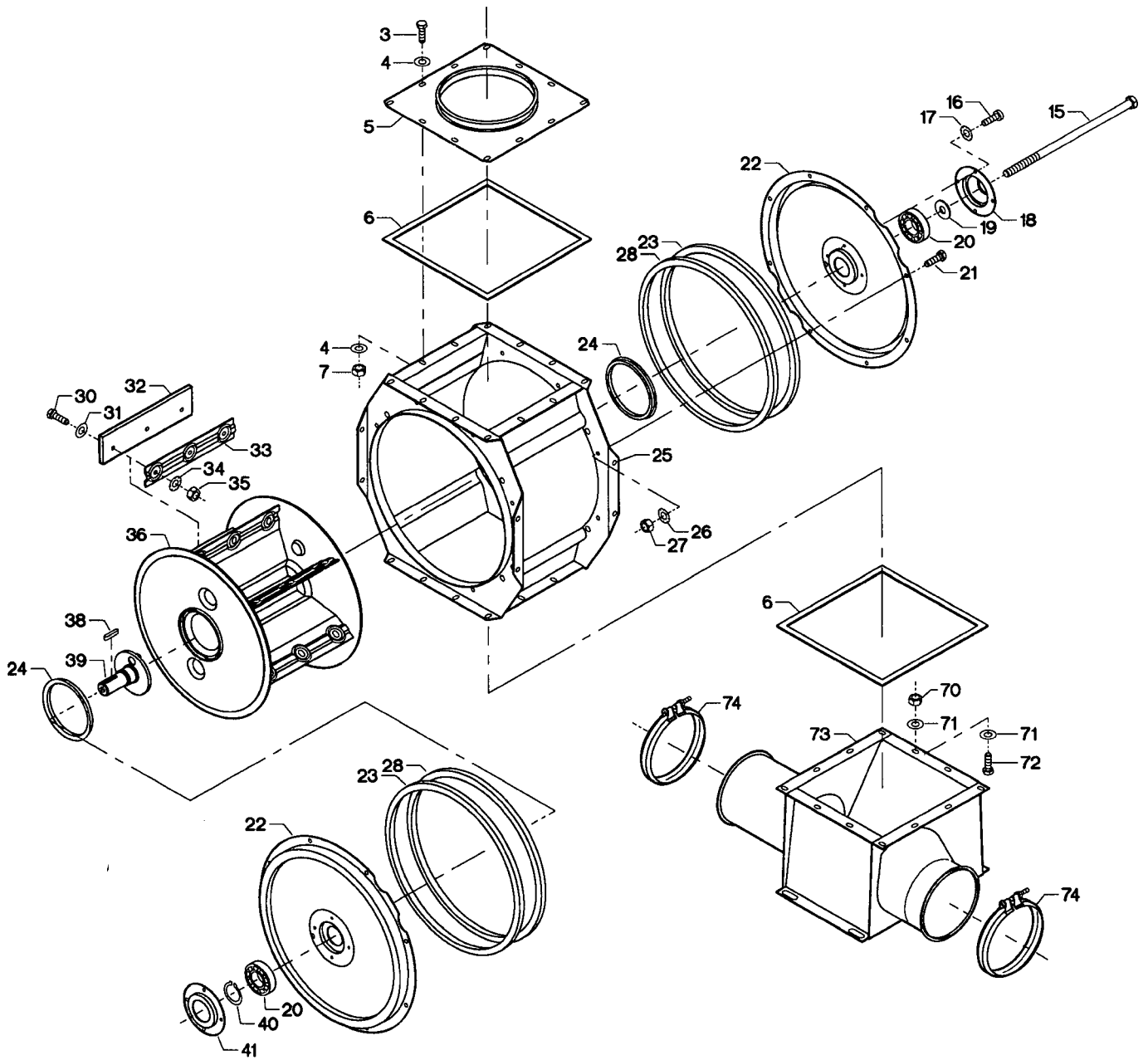


Fig.	Part no.	Pieces	Notes
3	100 306 014	12	Set screw M8 x 15/16 mm
4	100 331 005	24	Flat washer M8
5	121 108 235	1	
6	100 202 011	-	7 x 8 mm. Order 2.2 m
7	100 315 012	12	Nut M8
15	100 302 054	1	Bolt M16 x 320 mm
16	100 321 013	8	Crosshead screw M6 x 10 mm
17	100 332 002	8	Star washer M6
18	121 109 090	1	
19	121 108 135	1	
20	100 401 003	2	Ball bearing # 6207-2RS1
21	100 306 014	16	Set screw M8 x 15/16 mm
22	121 109 088	2	
23	121 100 349	2	
24	100 413 069	2	
25	121 108 232	1	
26	100 332 003	16	Star washer M8
27	100 315 012	16	Nut M8
28	121 100 368	2	
30	100 308 002	18	Set screw M8 x 25 mm
31	100 331 005	18	Flat washer M8
32	121 108 007	6	
33	121 108 136	6	
34	100 332 003	18	Star washer M8
35	100 315 012	18	Nut M8
36	121 108 215	1	
Cpl:	121 108 117	1	Complete incl. items 30 - 36
38	100 405 015	1	Key 8 x 7 x 36 mm
39	121 108 224	1	
40	100 407 009	1	Circlip ø35 x 1.5 mm
41	121 109 089	1	
Cpl:	121 108 121	1	Complete incl. items 15 - 41
70	100 315 012	12	Nut M8
71	100 331 005	24	Flat washer M8
72	100 306 014	12	Set screw M8 x 15/16 mm
73	121 108 243	1	
74	122 000 599	2	Clamp with bolt OK160

# SUC 500 T2/TR2

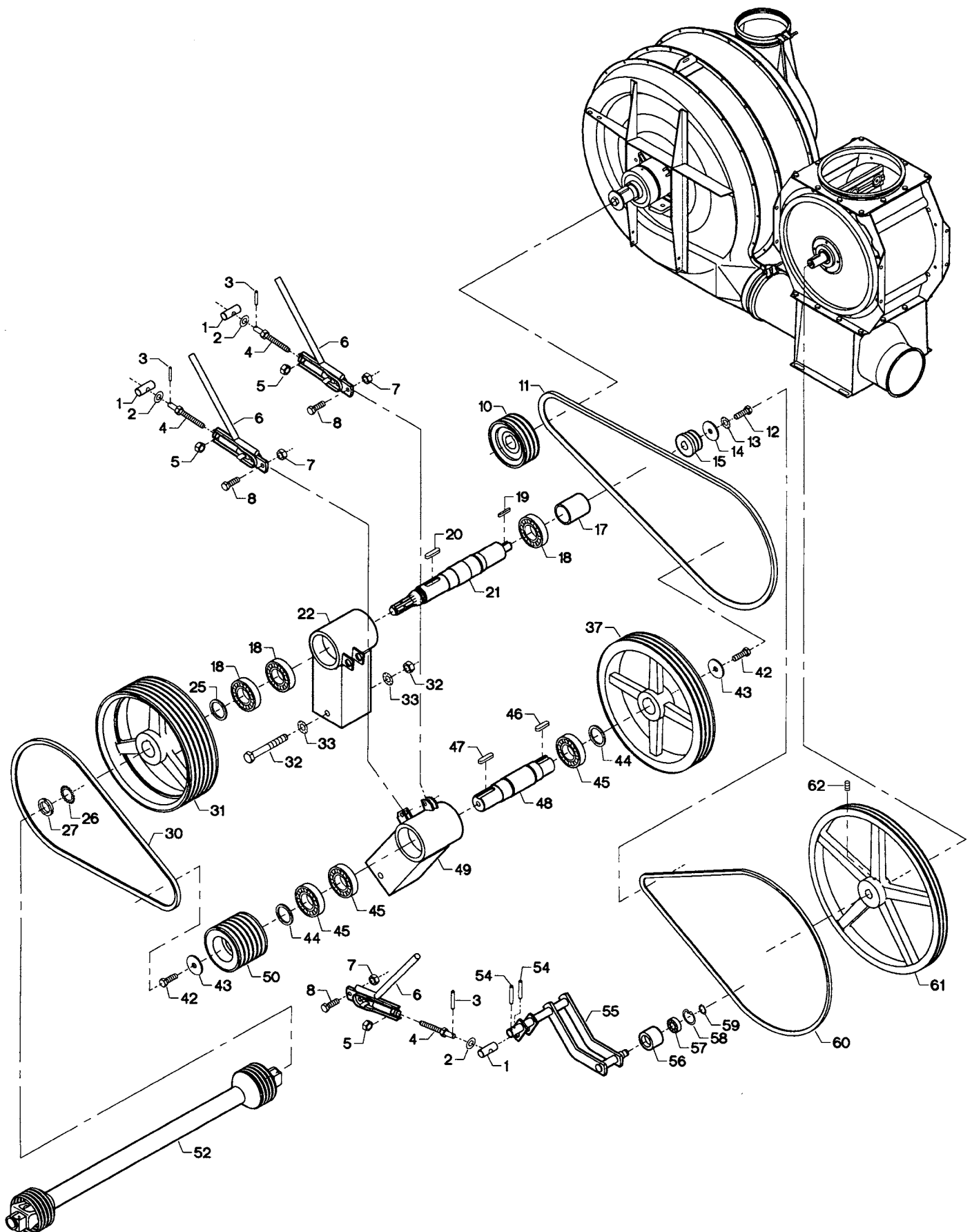
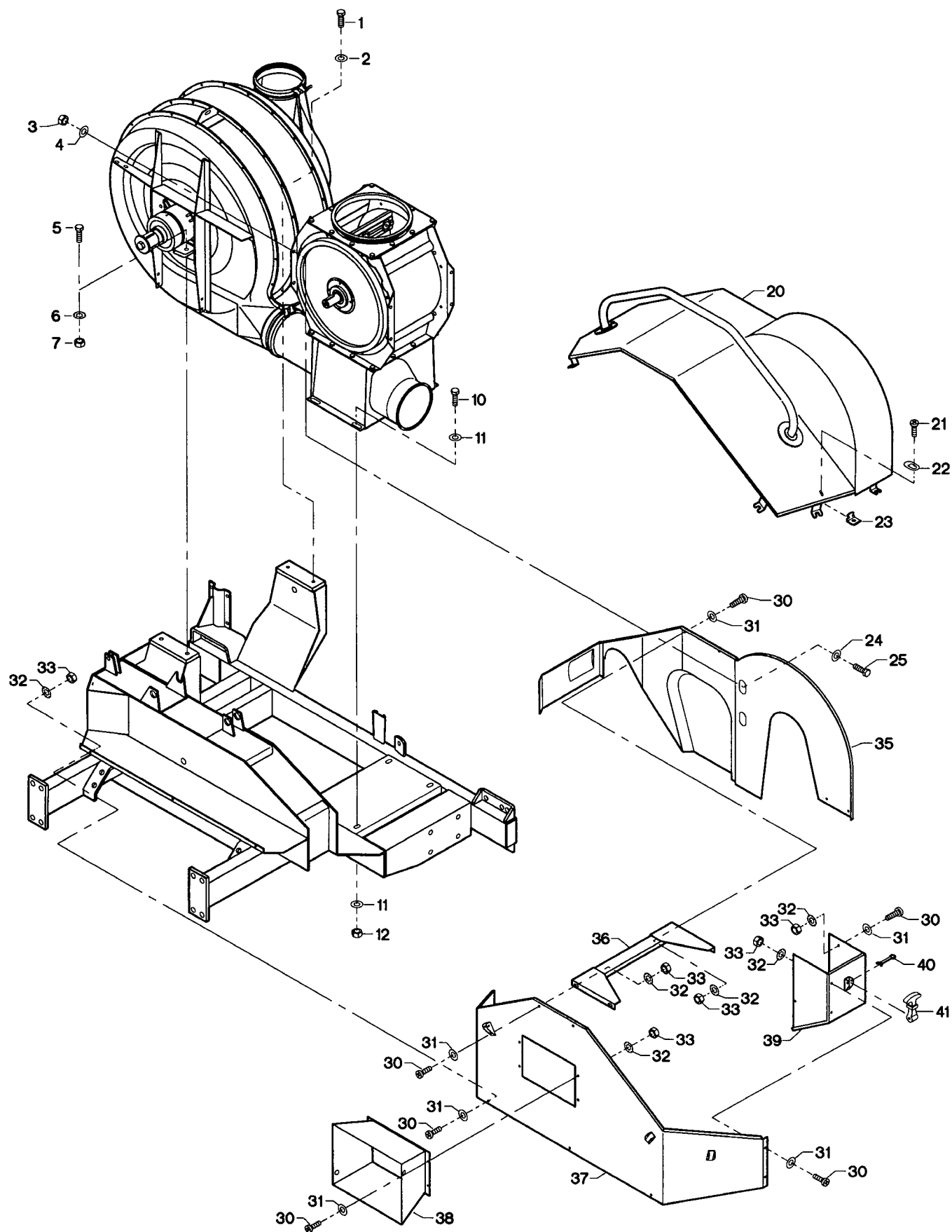


Fig.	Part no.	Pieces	Notes
1	121 131 285	3	Flat washer M16 Slottet spring pin $\varnothing 6 \times 32$ mm Nut M16
2	100 331 008	3	
3	100 333 018	3	
4	121 131 129	3	
5	100 315 020	3	
6	121 131 115	3	Lock nut M12 Set screw M12 x 40 mm V-belt pulley SPB 150 with 3 grooves Raw edge moulded notch V-belt SPB 2500, set 3
7	100 316 005	3	
8	100 306 044	3	
10	121 131 063	1	
11	100 403 086	3	
12	100 304 044	1	Set screw M16 x 30 mm Star washer M16 V-belt pulley SPA 63 with 2 grooves, bore $\varnothing 28$ mm
13	100 332 006	1	
14	121 121 079	1	
15	121 131 224	1	
17	121 131 280	1	
18	100 401 013	3	Ball bearing # 6212 - 2 RS1 Key 8 x 7 x 36 mm Key 16 x 10 x 63 mm
19	100 405 015	1	
20	100 405 010	1	
21	121 131 276	1	
22	121 131 204	1	
25	121 131 288	1	Star washer MB10 Ring nut KM10 Complete incl. items 12 - 27 Raw edge moulded notch V-belt SPB 1800, set 6
26	100 407 024	1	
27	100 323 063	1	
Cpl: 30	121 131 202	1	
	100 403 022	6	
31	121 131 059	1	V-belt pulley SPB 400 with 6 grooves Bolt with nut M20 x 160 mm Star washer M20 V-belt pulley SPB 450 with 3 grooves Set screw M16 x 30 mm
32	100 302 042	2	
33	100 332 007	2	
37	121 131 061	1	
42	100 304 044	2	
43	121 121 079	2	Ball bearing # 6212 - 2 RS1 Key 16 x 10 x 50 mm Key 16 x 10 x 63 mm
44	121 131 288	2	
45	100 401 013	3	
46	100 405 012	1	
47	100 405 010	1	
48	121 131 277	1	Complete incl. items 42 - 49 V-belt pulley SPB 140 with 6 grooves P.T.O. shaft
49	121 131 208	1	
Cpl: 50	121 131 201	1	
52	121 131 060	1	
	199 073 163	1	
54	100 333 018	2	Slottet spring pin $\varnothing 6 \times 32$ mm Ball bearing # 6304 - 2RS Circlip $\varnothing 52 \times 2.0$ mm
55	121 131 124	1	
56	121 108 223	1	
57	100 401 006	1	
58	100 407 019	1	
59	100 407 011	1	Circlip $\varnothing 20 \times 1.2$ mm Raw edge moulded notch V-belt SPA 2070 RE, set 2 V-belt pulley SPA 560 with 2 grooves Stop screw M10 x 15 mm
60	100 403 015	2	
61	121 131 062	1	
62	100 322 005	1	

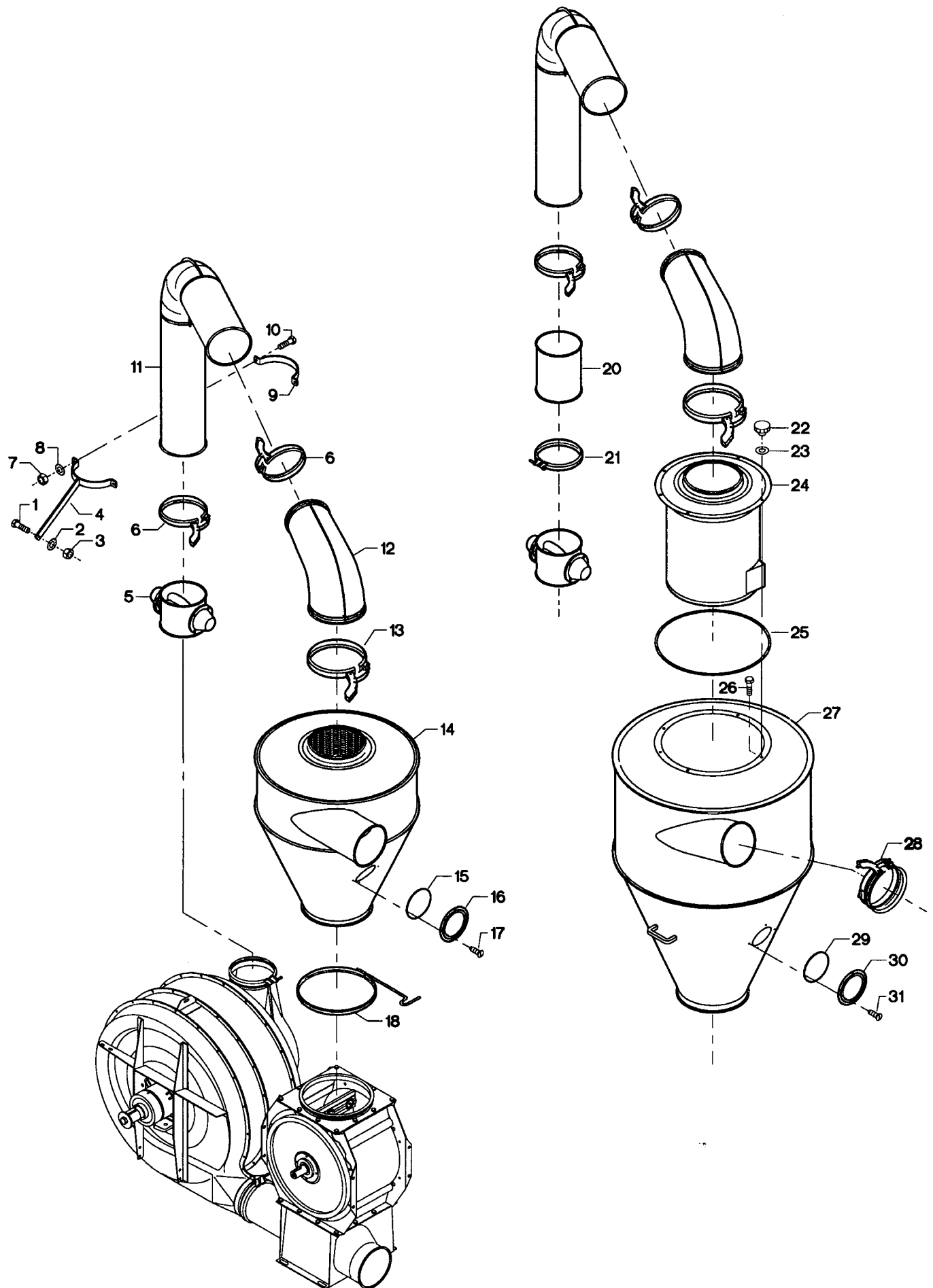
# SUC 500 T2/TR2







# SUC 500 T2/TR2





# SUC 500 T2/TR2

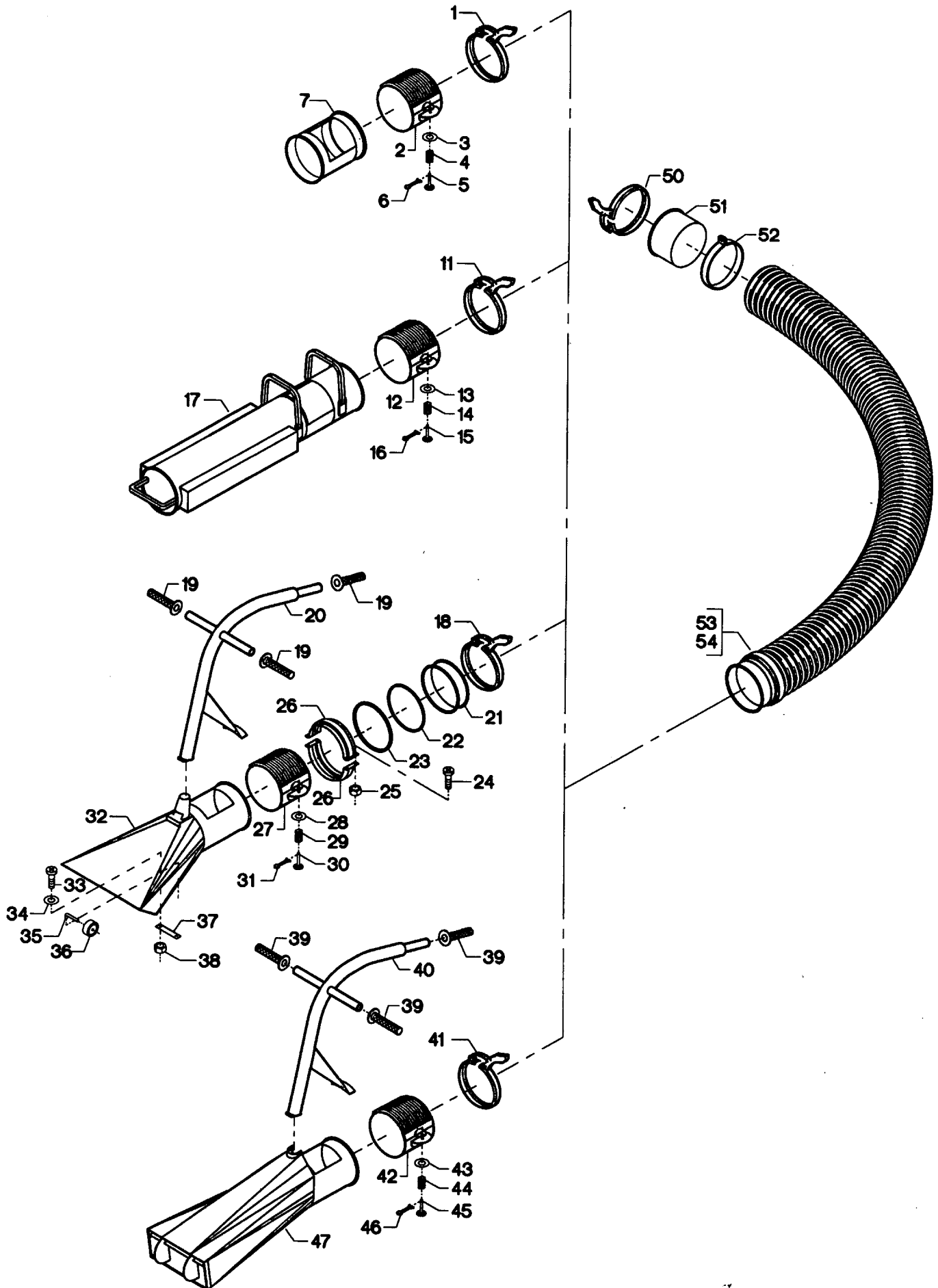


Fig.	Part no.	Pieces	Notes
1	122 000 800	1	Quick release clamp OKR160
2	121 130 100	1	
3	100 331 013	1	Flat washer M6
4	121 120 116	1	
5	121 120 113	1	
6	100 333 000	1	Split pin $\varnothing 2 \times 15$ mm
7	121 000 744	1	
Cpl:	121 000 732	1	Suction head complete incl. items 1 - 7
11	122 000 800	1	Quick release clamp OKR160
12	121 130 100	1	
13	100 331 013	1	Flat washer M6
14	121 120 116	1	
15	121 120 113	1	
16	100 333 000	1	Split pin $\varnothing 2 \times 15$ mm
17	121 130 248	1	
Cpl:	121 130 213	1	Suction head complete incl. items 11 - 17
18	122 000 800	1	Quick release clamp OKR160
19	100 414 016	3	
Cpl:	121 130 273	1	Handle complete incl. items 19 + 20
21	121 130 199	1	
22	121 130 197	1	O-ring
23	121 130 236	1	Sealing ring
24	100 321 015	2	Crosshead screw M6 x 15 mm
25	100 316 002	2	Lock nut M6
26	121 130 198	2	
27	121 130 100	1	
28	100 331 013	1	Flat washer M6
29	121 120 116	1	
30	121 120 113	1	
31	100 333 000	1	Split pin $\varnothing 2 \times 15$ mm
32	121 130 188	1	
33	100 321 013	2	Crosshead screw M6 x 10 mm
34	100 331 004	2	Flat washer M6
35	121 130 211	2	
36	100 412 006	2	
37	121 130 210	2	
38	100 315 028	2	Nut M6
Cpl:	121 130 265	1	Suction head complete incl. items: 19 - 38
39	100 414 016	3	
40	121 130 246	1	
41	122 000 800	1	Quick release clamp OKR160
42	121 130 100	1	
43	100 331 013	1	Flat washer M6
44	121 120 116	1	
45	121 120 113	1	
46	100 333 000	1	Split pin $\varnothing 2 \times 15$ mm
47	121 130 266	1	
Cpl:	121 130 247	1	Suction head complete incl. items: 39 - 47
50	122 000 800	1	Quick release clamp OKR160
51	121 000 775	2	
52	100 420 172	2	Clamp
Cpl:	121 000 645	1	Suction pipe 2.6 m complete incl. items: 50 + 51 + 52 + 53
Cpl:	121 000 650	1	Suction pipe 3.8 m complete incl. items: 50 + 51 + 52 + 54

# SUC 500 T2/TR2

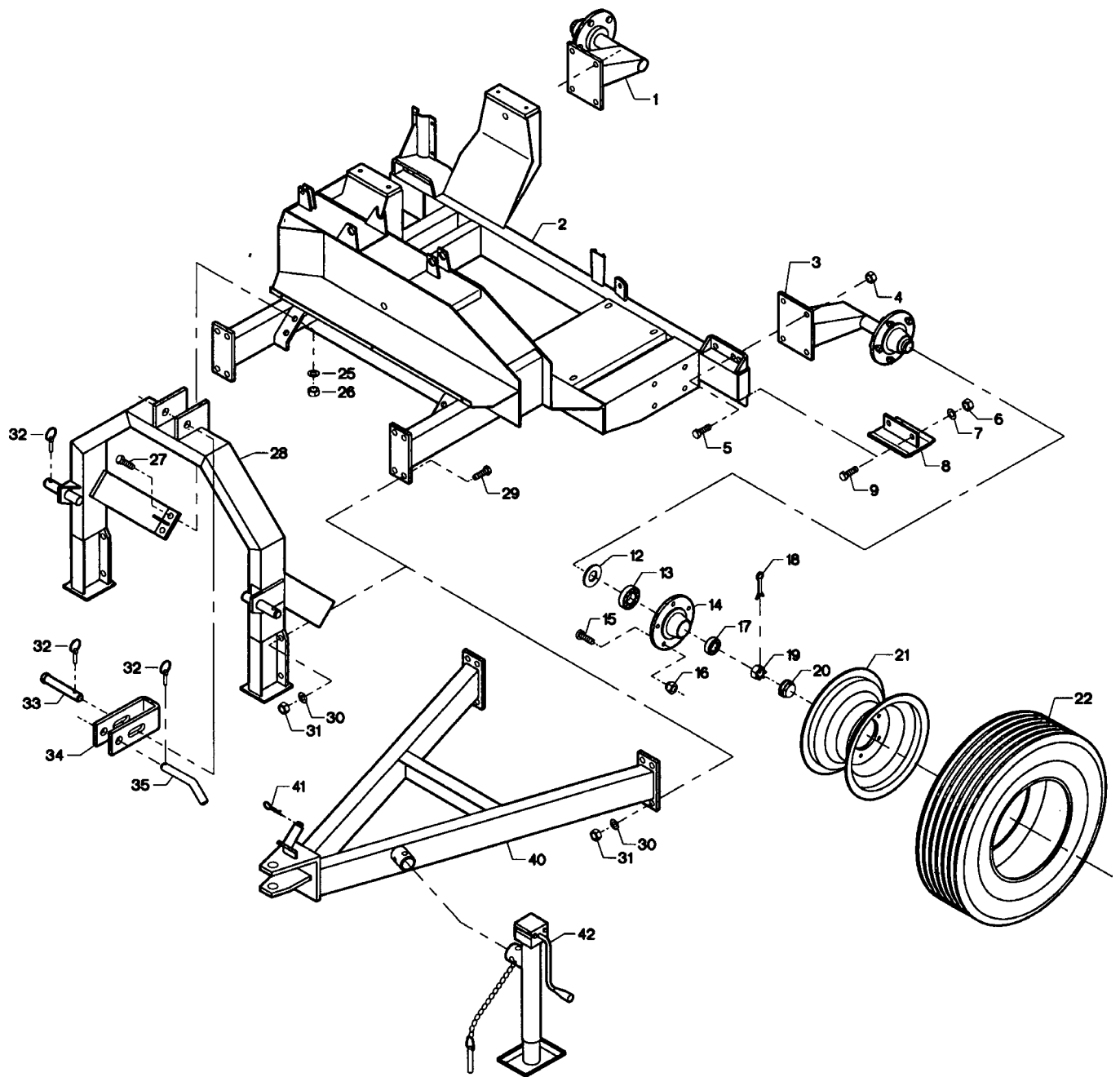


Fig.	Part no.	Pieces	Notes
1	121 134 343	1	
2	121 134 131	1	
3	121 134 344	1	
4	100 316 006	8	Lock nut M16
5	100 306 055	8	Set screw M16 x 40 mm
6	100 315 020	4	Nut M16
7	100 332 006	4	Star washer M16
8	121 131 247	2	
9	100 306 056	4	Set screw M16 x 45 mm
12	100 423 092	1	Seal cover ø72/42 mm
13	100 402 001	1	Bearing # 30207
15	100 323 365	5	Hub bolt M12 x 1.5 x 36 mm
16	100 316 087	5	Hub nut M12 x 1.5 mm - R12
17	100 402 000	1	Bearing # 30205
18	100 333 004	1	Split pin ø5 x 30 mm
19	100 316 086	1	Castle nut M16
20	100 423 093	1	Dust cap
Cpl:	121 134 188	2	Hub complete type FL 35 - 5. Incl. items 12-20
21	100 423 057	1	Rim 5.5k x 14 - 5 / 10Z / 140
22	100 423 096	1	Tyre 205/75 R14C 6 PR
Cpl:	121 000 782	2	Rim with tyre complete. incl. items 21+22
25	100 332 006	4	Star washer M16
26	100 315 020	4	Nut M16
27	100 306 056	4	Set screw M16 x 45 mm
28	121 131 245	1	
29	100 306 056	8	Set screw M16 x 45 mm
30	100 332 006	8	Star washer M16
31	100 315 020	8	Nut M16
32	100 333 014	4	Lynch pin ø 9.5 mm
33	105 000 665	1	
34	121 131 025	1	
35	105 000 388	1	
40	121 134 342	1	
41	100 333 011	1	Hair pin clip ø4.0 mm
42	121 134 128	1	

# SUC 500 T2/TR2

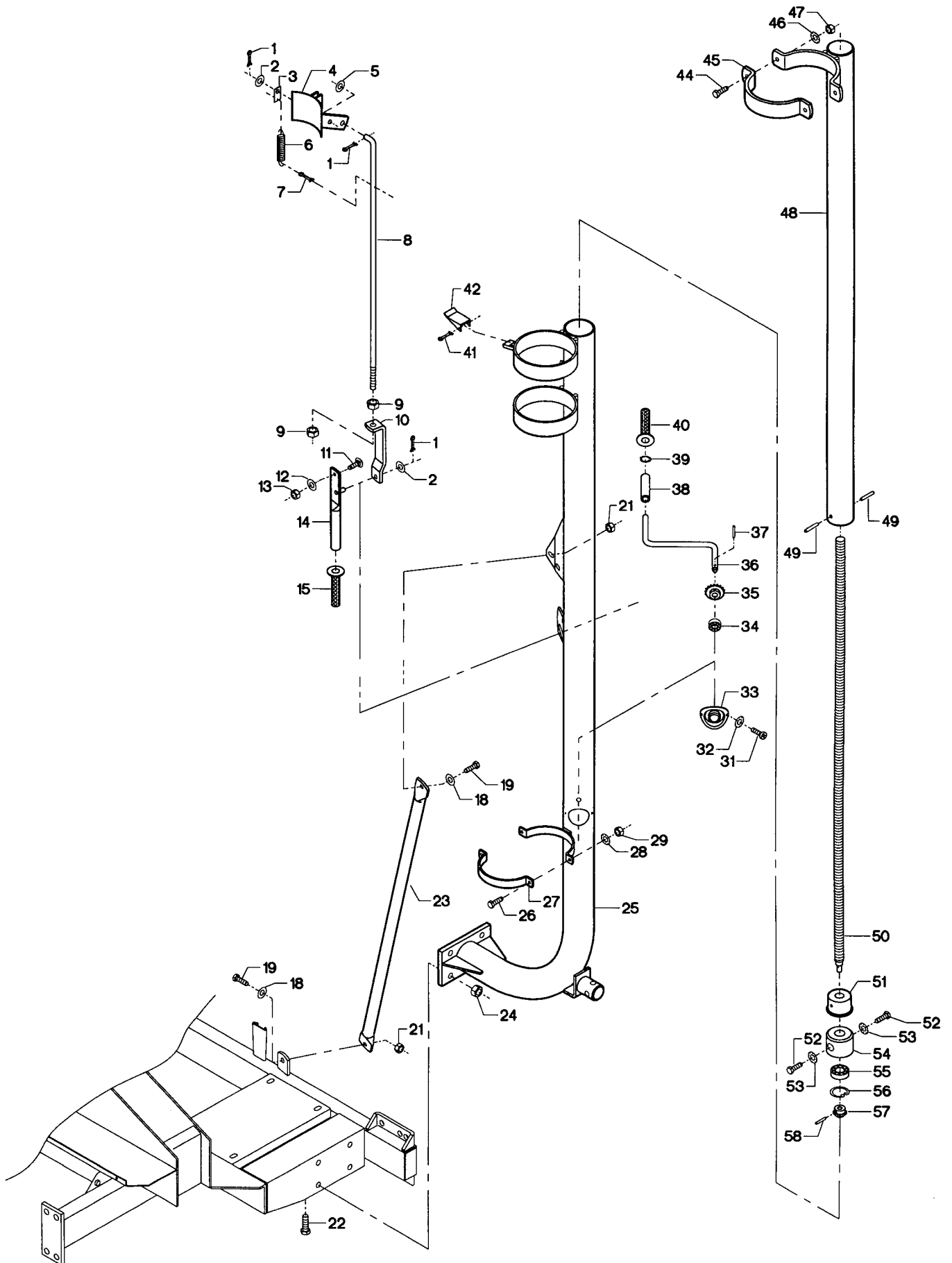
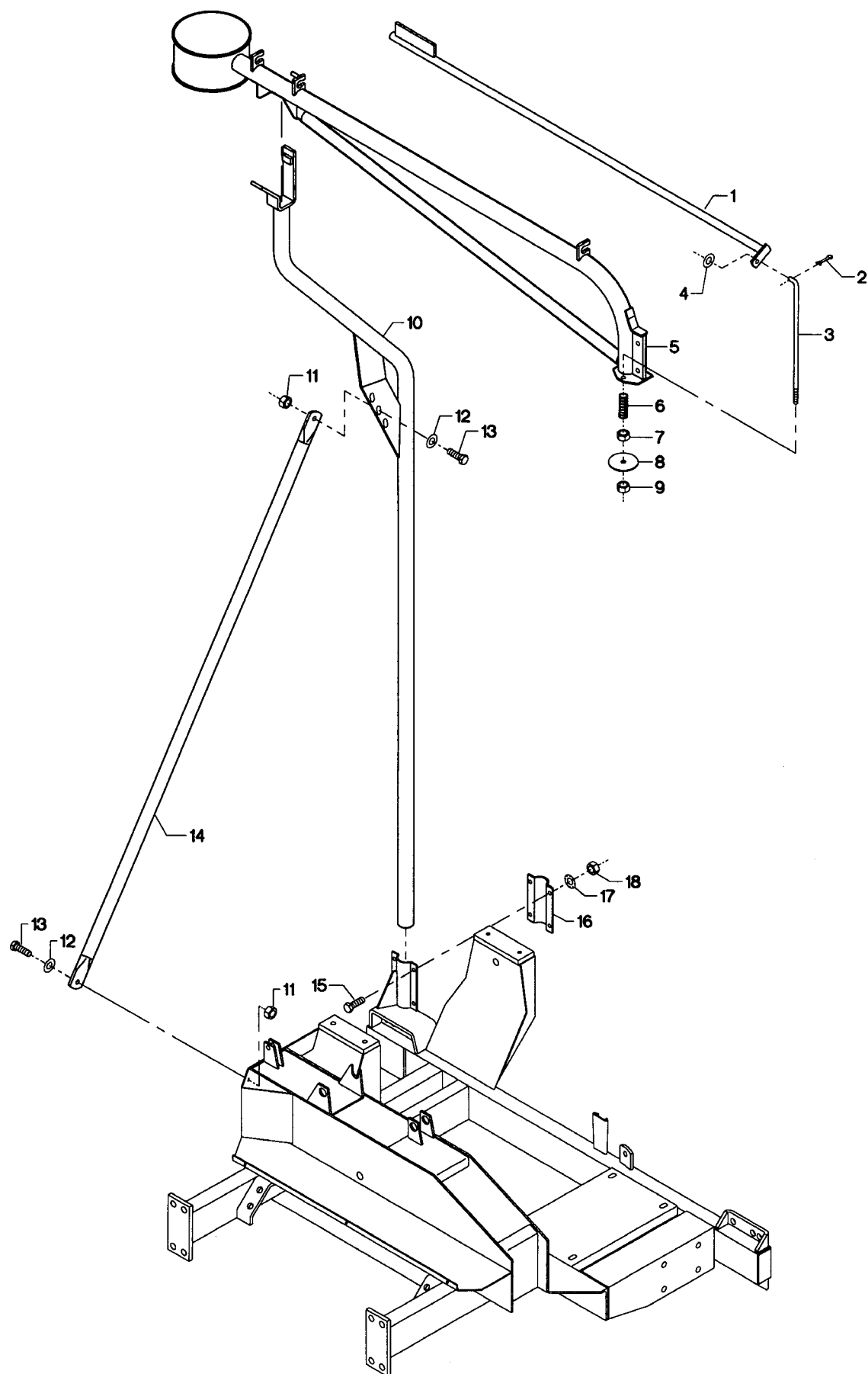




Fig.	Part no.	Pieces	Notes
1	100 333 002	3	Split pin $\varnothing 3$ x 30 mm
2	100 331 007	2	Flat washer M12
3	121 134 258	1	
4	121 134 164	1	
5	100 331 008	1	Flat washer M16
6	122 000 350	1	Spring $\varnothing 14$ mm
7	100 333 003	1	Split pin $\varnothing 4$ x 25 mm
8	121 134 234	1	
9	100 315 020	2	Nut M16
10	121 134 233	1	
11	100 311 030	1	Coach bolt M10 x 25 mm
12	100 331 006	1	Flat washer M10
13	100 316 004	1	Lock nut M10
14	121 134 286	1	
15	100 414 016	1	
18	100 331 007	2	Flat washer M12
19	100 304 033	2	Set screw M12 x 35 mm
21	100 316 005	2	Lock nut M12
22	100 306 057	4	Set screw M16 x 50 mm
23	121 134 224	1	
24	100 316 006	4	Lock nut M16
25	121 134 288	1	
26	100 308 032	2	Set screw M8 x 35 mm
27	121 140 174	1	
28	100 332 003	2	Star washer M8
29	100 315 012	2	Nut M8
31	100 321 013	2	Crosshead screw M6 x 10 mm
32	100 332 002	2	Star washer M6
33	121 134 207	1	
34	100 401 077	1	Ball bearing # 6200 - 2RS1/C3
35	121 134 202	1	
36	121 134 168	1	
37	100 333 018	1	Slotted spring pin $\varnothing 6$ x 32 mm
38	121 134 367	1	
39	100 407 028	1	Circlip $\varnothing 15$ x 1 mm
40	100 414 016	1	
41	100 333 035	1	Split pin $\varnothing 5$ x 30 mm
42	121 134 259	1	
44	100 304 033	2	Set screw M12 x 35 mm
45	121 134 177	1	
46	100 332 005	2	Star washer M12
47	100 315 016	2	Nut M12
48	121 134 172	1	
49	100 333 038	2	Slotted spring pin $\varnothing 8$ x 20 mm
50	121 134 370	1	
51	121 134 371	1	
52	100 306 043	2	Set screw M12 x 30 mm
53	100 332 005	2	Star washer M12
54	121 134 369	1	
55	100 401 006	1	Ball bearing # 6304 - 2RS
56	100 407 019	1	Circlip $\varnothing 52$ x 2 mm
57	121 134 203	1	
58	100 333 018	1	Slotted spring pin $\varnothing 6$ x 32 mm

# SUC 500 T2/TR2





# SUC 500 T2/TR2

